

Solar Skid

Installation Manual



24/7 Support

Your purchase of this TrueLook system includes customer and technical support. If you have any questions regarding the use or configuration of this equipment and software, please don't hesitate to contact us.

Phone 833.878.3566

Email support@truelook.com

Office 575 4th Street E, Winston Salem, NC 27101

Online Resources

Use this QR code or visit truelook.com/install to access:

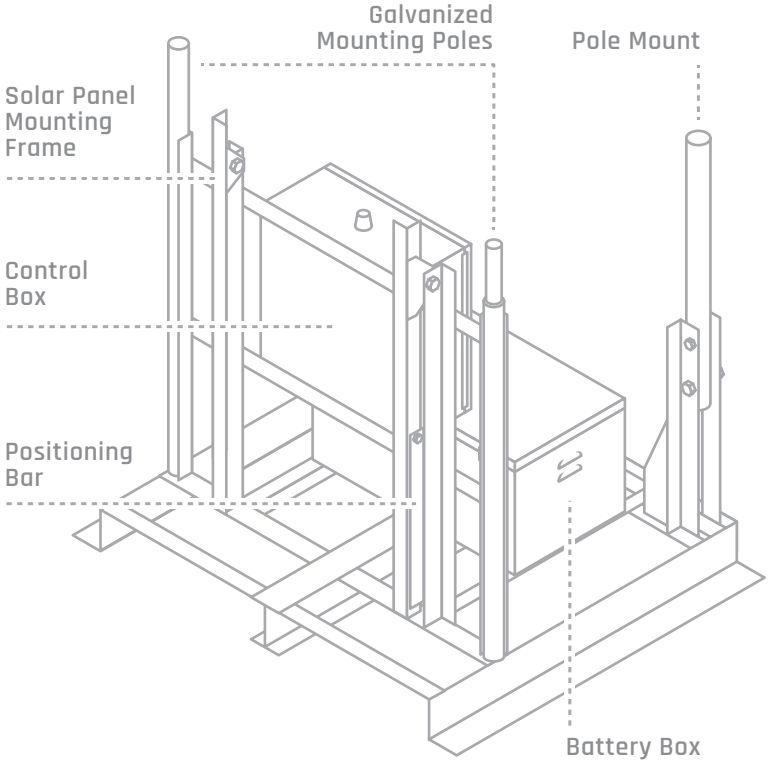
- 1 An admin guide to walk you through creating your time-lapses and other administrative settings.
- 2 Video demonstrations of installation procedures.
- 3 A digital PDF of this install guide.
- 4 Download links for the TrueLook mobile app.
- 5 Other helpful resources.



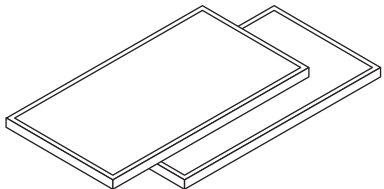
For Terms & Conditions as well as Warranty information, visit truelook.com/terms-conditions.

Hardware Packing List

Solar Skid

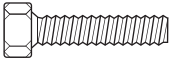


Solar Panels



Hardware Packing List

Solar Panel Hardware



7/16" Bolts
(8pcs)



7/16" Nuts
(8pcs)



Flat Washer
(16pcs)



Lock Washer
(8pcs)

Galvanized Pole Hardware



3/4" Bolts (4pcs)

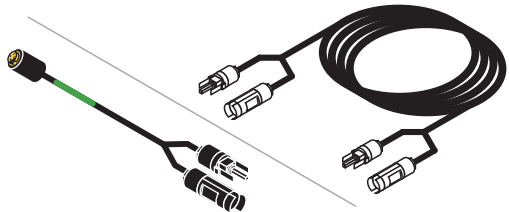


3/4" Nuts (4pcs)



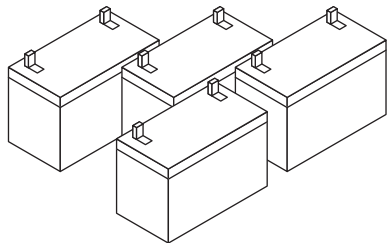
Flat Washer (4pcs)

Solar Adapter Cable & 25' Extension Cable



Batteries (4x)

Batteries come installed and pre-wired in battery box.



Positioning Solar Skid



FAILURE TO OBSERVE ALL FOLLOWING REQUIREMENTS MAY RESULT IN SYSTEM DOWNTIME. UNITS SELF-RECOVER AUTOMATICALLY ONCE PANELS RECEIVE SUFFICIENT SUNLIGHT.



Face panels **due south**.

Position solar panels to face the equator in order to capture adequate sunlight.

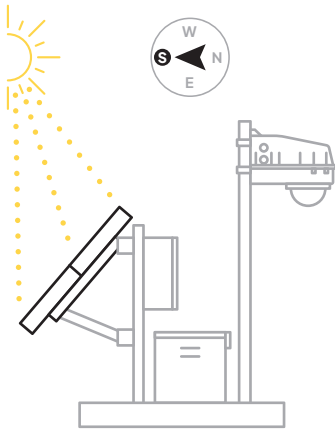


Ensure panels remain **unobstructed**.

Panels must receive direct sunlight all day. Do not let trees, dirt, structures, or anything else block the sun.

Review **Solar Panel Positioning Chart** (following page) for correct and incorrect panel placements.

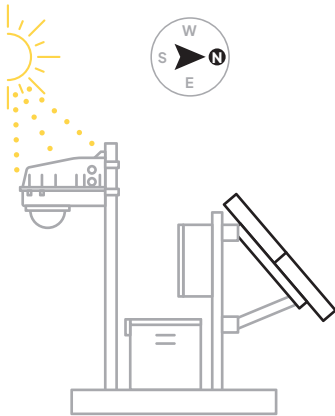
Solar Panel Positioning Chart



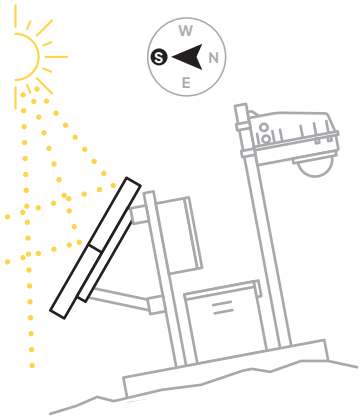
Correct



Obstructed



Wrong Orientation



Wrong Angle

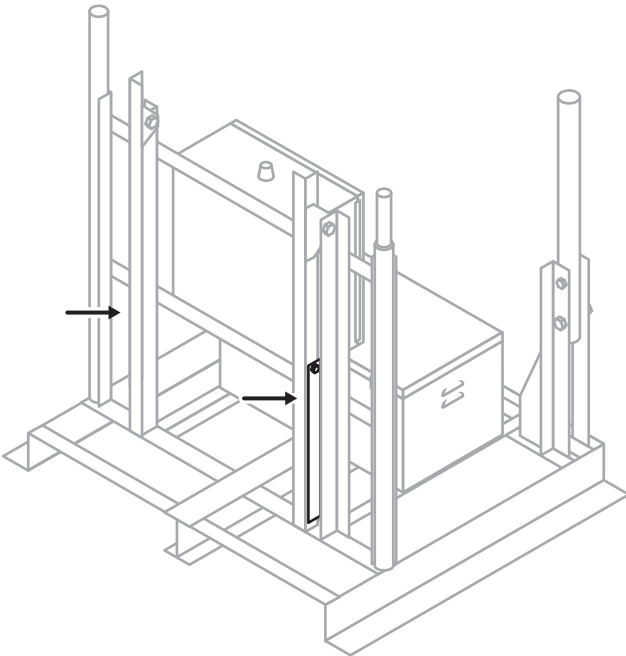
Solar Skid and Mast



IF FORKLIFT TRANSPORTATION IS NEEDED, LIFT THE SKID FROM THE SIDE OPPOSITE THE SOLAR PANELS.

STEP 01

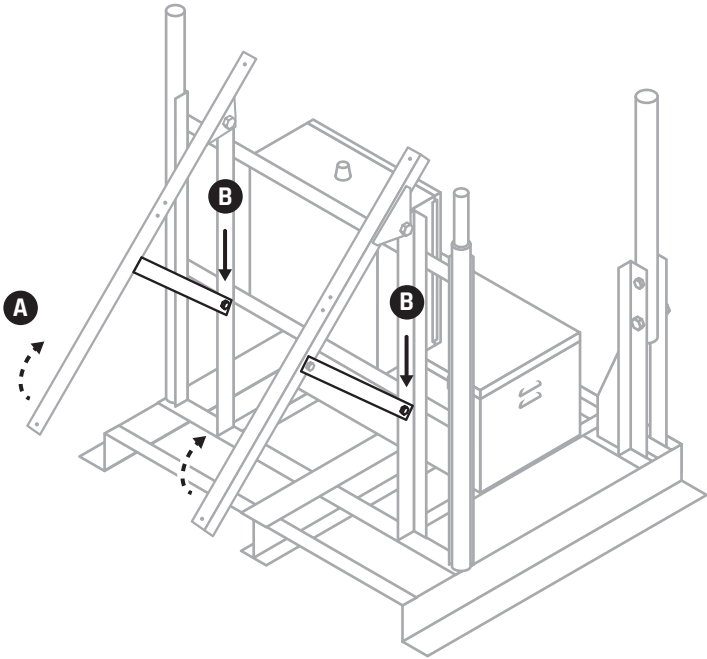
Remove the fasteners securing the ends of the solar panel position bars. Do not discard fasteners as they will be reused.



INSTALLATION

STEP 02

Tilt the solar panel mounting frame so the positioning bar holes align with the corresponding holes on the skid frame (A). Then, reinstall the fasteners in this position (B).



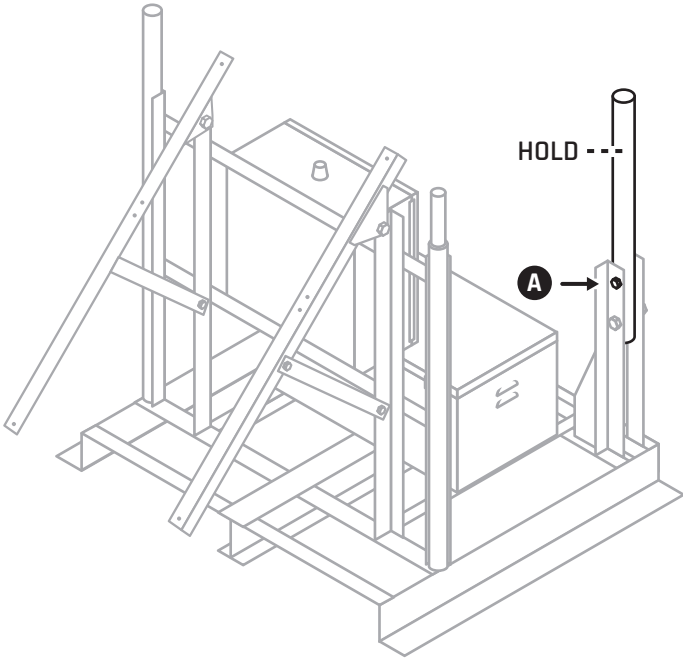
INSTALLATION



SAFELY INSTALLING THE MAST REQUIRES AT LEAST TWO PEOPLE. DO NOT ATTEMPT INSTALLATION ALONE.

STEP 03

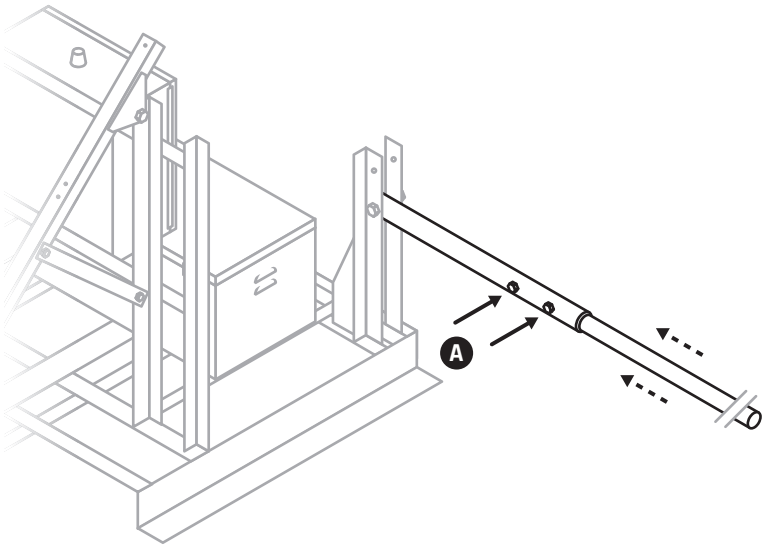
Support the vertical pole mount while removing the upper fastener (1/2" hardware) on the pole mount (A).



INSTALLATION

STEP 04

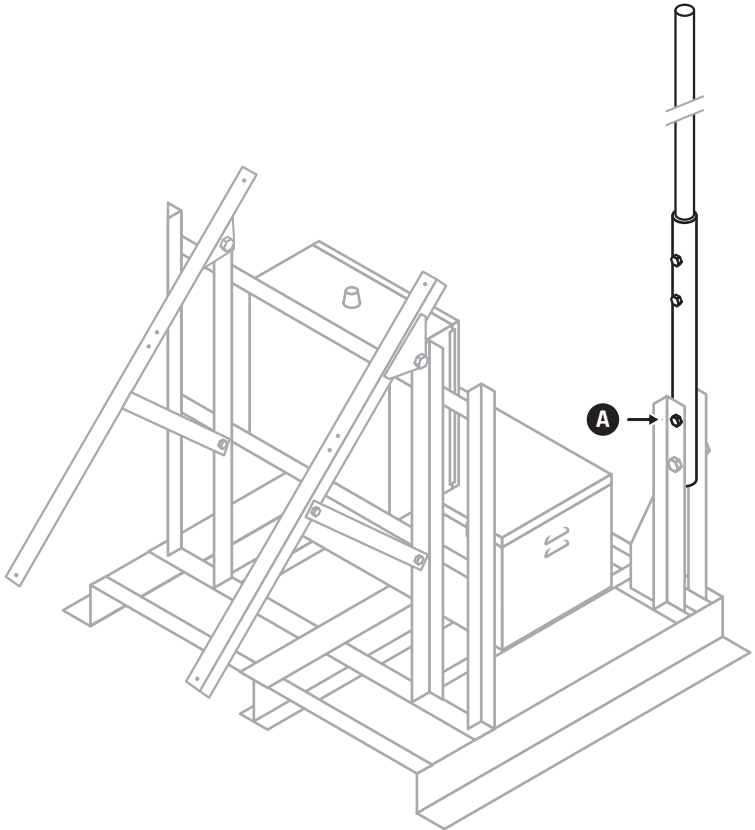
Support the pole mount into a horizontal position. Install the first galvanized pole by aligning both sets of holes and installing the provided 1/2" fasteners. Then, repeat these steps to add the second galvanized pole.



INSTALLATION

STEP 05

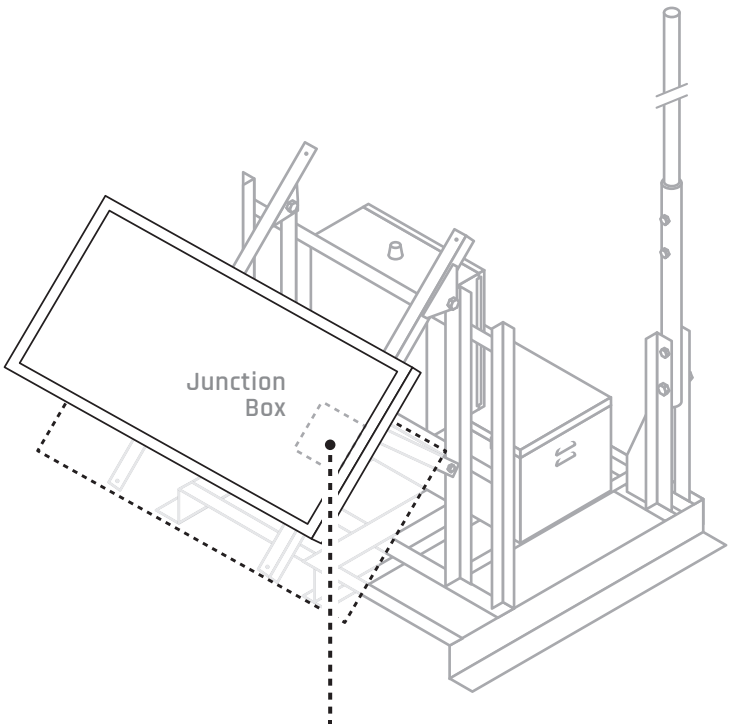
Rotate the pole assembly back into the upright position and reinstall the 1/2" fastener (A).



Solar Panels

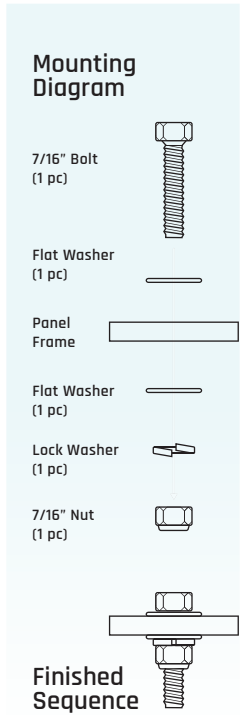
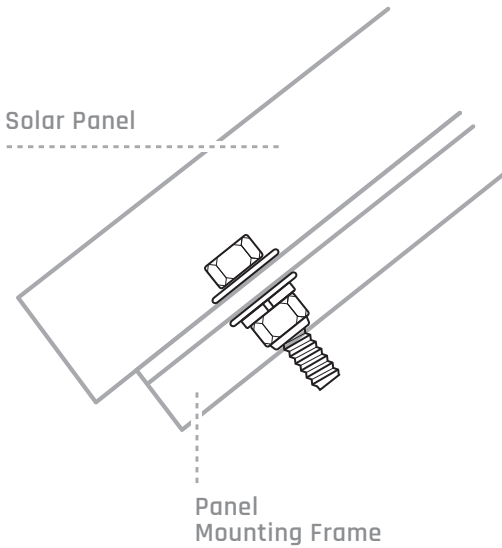
STEP 01

Attach the lower solar panel to the mounting frame using the provided hardware to secure all four corners of the panel (see Mounting Diagram on next page).



Ensure the junction box on the back of the panel is oriented toward the mast side of the solar skid.

Mounting Diagram



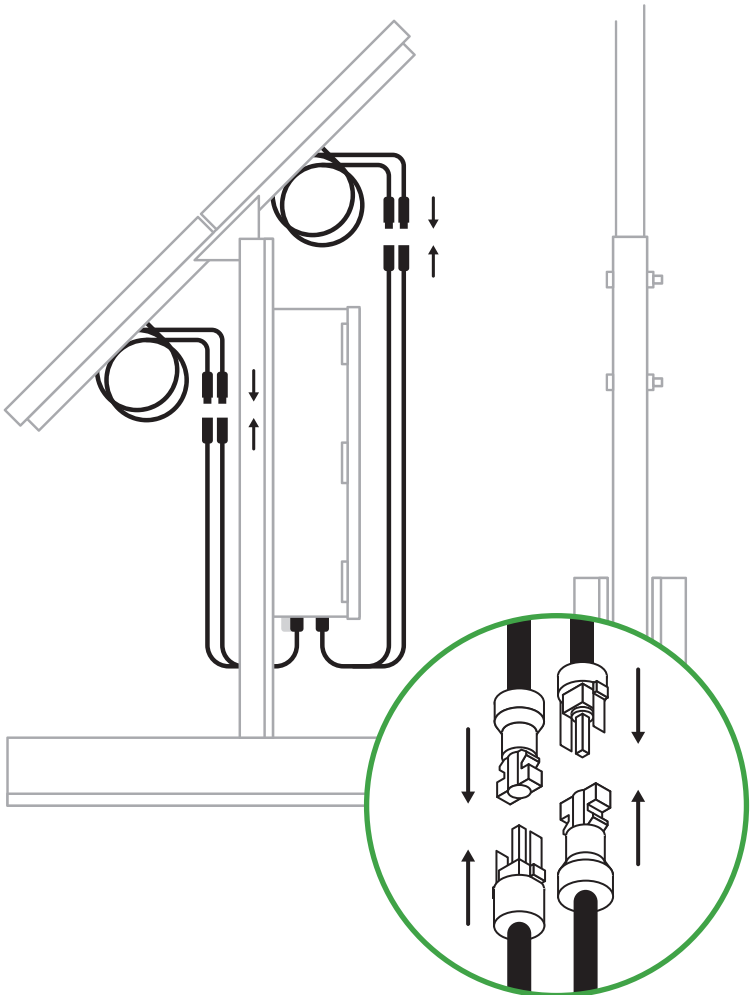
STEP 02

Repeat above instructions to install the upper solar panel.

INSTALLATION

STEP 03

Take the cables coming from both solar panels and plug them into the connectors coming from the bottom of the control box, male to female.



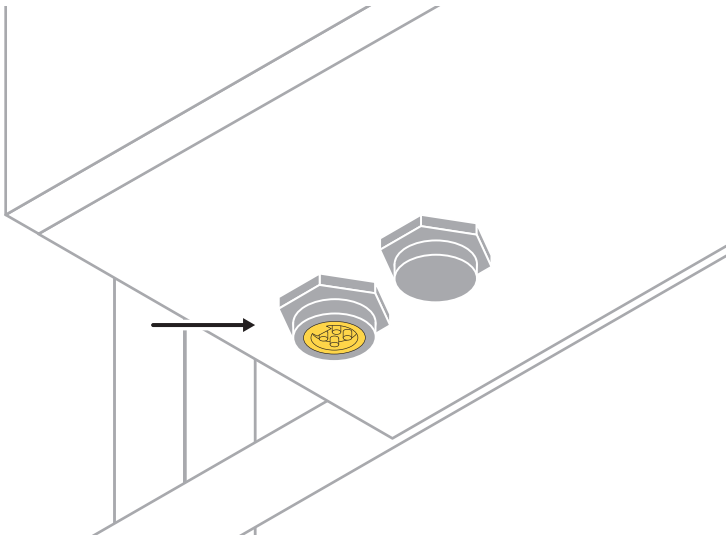
Mounting & Connecting the Camera

STEP 01

Follow the pole mounting instructions from your camera manual to secure the camera (and control box, if applicable) to the solar skid mast.

STEP 02

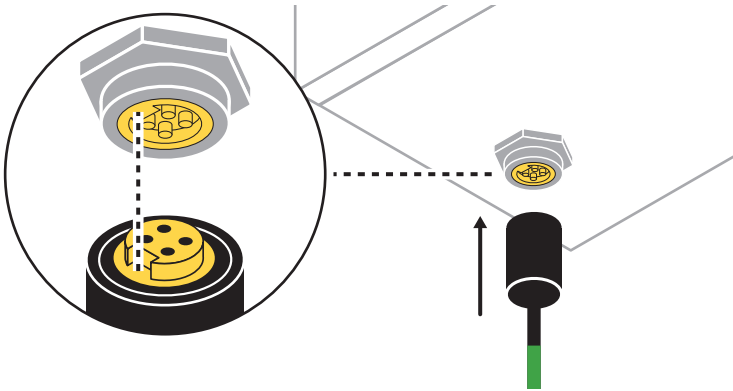
Locate the yellow input port on the camera enclosure or control box.



CONNECTING & POWERING

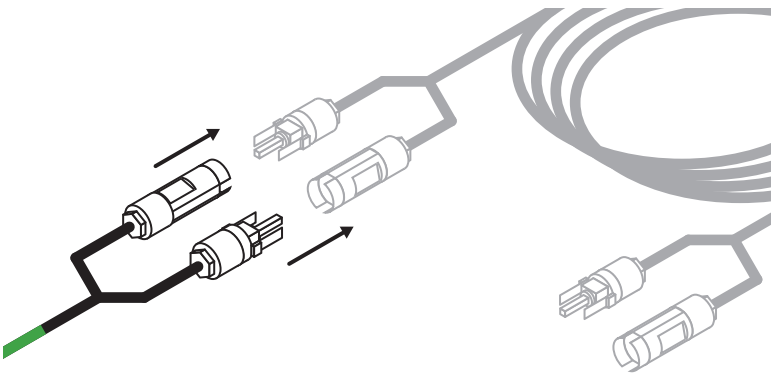
STEP 03

Align notches and plug the yellow bulkhead end of the adapter cable into the camera or control box port. Gently hand tighten to screw connector into input.



STEP 04

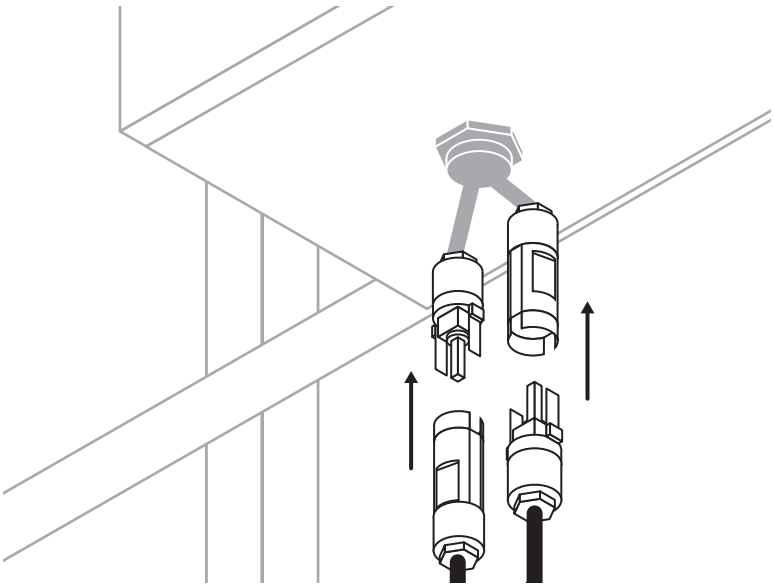
The other end of the adapter cable has two connectors, one male and one female. Plug the adapter cable's ends into their respective connectors coming from the 25' extension cable, male to female.



CONNECTING & POWERING

STEP 05

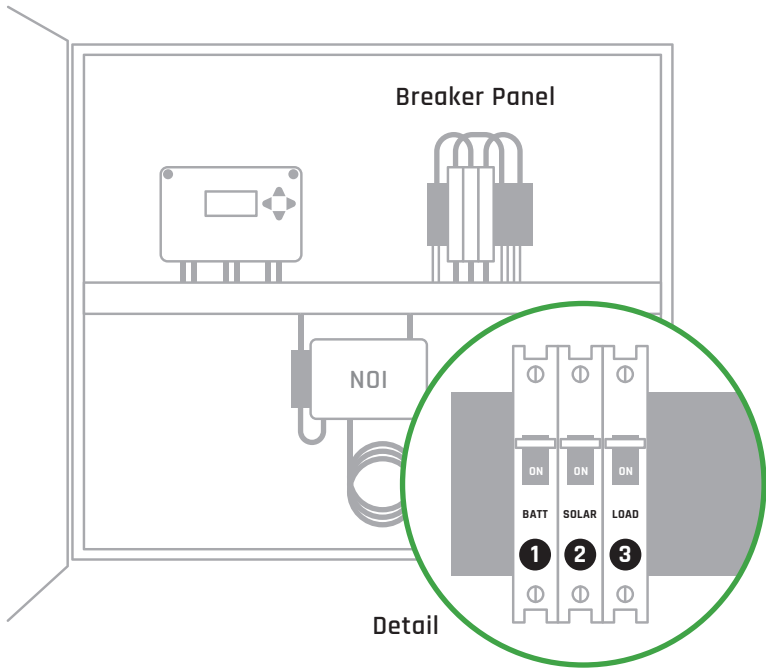
Locate the connectors coming from the solar skid control box, then plug the extension cable's ends into their respective connectors, male to female.



Powering the System

STEP 01

Flip the three breakers inside the control box to power the system. Your camera will be online and ready to use within 10 minutes.



Troubleshooting

If something seems wrong with the system, it may be necessary to troubleshoot.

CAUTIONS:

- Troubleshooting should be attempted by qualified personnel only.
- A battery can cause serious damage if shorted.
- Do not disassemble the ProStar from its case. There are no user serviceable parts inside the ProStar.

CAMERA NOT OPERATING PROPERLY

- 1 Check that the load breaker is turned on.
- 2 Check that the camera cable connectors are securely fastened.
- 3 If the ProStar internal temperature is above 80°C/176°F, the load will be disconnected, and all LEDs will be flashing in sequence. Check that nothing is obstructing the vents at the top of the case to ensure clear airflow around the ProStar.

BATTERY IS NOT CHARGING

- 1 Check that all wire connections in the system are correct and tight.

**IF YOUR SYSTEM IS STILL NOT FUNCTIONING PROPERLY,
PLEASE CONTACT TRUELOOK SUPPORT FOR FURTHER
ASSISTANCE.**

Maintenance Tips



Do not allow smoking or open flames near the battery enclosure.



If a battery has been unused for a long time, charge it externally with a battery charger prior to using it again for maximum efficiency.



Solar panels are designed to quickly melt snow on their own.

If there is a more urgent need to remove snow, gently use a soft brush. Using too much force may scratch or damage the panels.



If the solar panels need cleaning, use only water and a microfiber cloth.



Do not store any system components on the ground to avoid the intrusion of water or dirt.

Battery Replacement

We recommend the Duracell Ultra Platinum AGM BCI Group 31M Deep Cycle Marine & RV Battery as a replacement.

If you are unable to find this specific battery, the battery should meet the following specifications:

Product Category: Marine/RV

Voltage: 12

Format: BCI Group 31M

Chemistry: Lead Acid

Lead Acid Type: Deep Cycle, Dual Purpose (Starting/Cycling)

Lead Acid Design: AGM

Capacity: 105AH

Capacity 20hr: 105AH

Cranking Amps: 1000

Cold Cranking Amps: 800

Marine Cranking Amps: 1000

Terminal Type: DT, SAE/M8 Stud, SAE/M8 Threaded Post, WNT

Notes

Notes

Your Unique Login



TRU24019-0101