

# Fixed 4K IR Camera

Installation Manual



# 24/7 Support

---

Your purchase of this TrueLook system includes customer and technical support. If you have any questions regarding the use or configuration of this equipment and software, please don't hesitate to contact us.

**Phone** 833.878.3566

**Email** support@truelook.com

**Office** 575 4th Street E, Winston Salem, NC 27101

## Online Resources

---

Use this QR code or visit [truelook.com/install](https://truelook.com/install) to access:

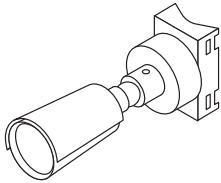
- 1 An admin guide to walk you through creating your time-lapses and other administrative settings.
- 2 Video demonstrations of installation procedures.
- 3 A digital PDF of this install guide.
- 4 Download links for the TrueLook mobile app.
- 5 Other helpful resources.



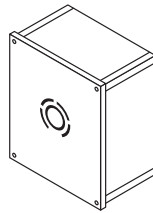
For Terms & Conditions as well as Warranty information, visit [truelook.com/terms-conditions](https://truelook.com/terms-conditions).

# Hardware Packing List

## Camera System and Control Box

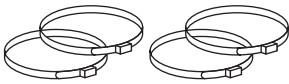


Camera System

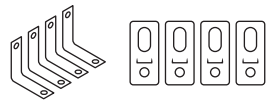


Control Box

## Pole and Wall Mounting Hardware



Pole Mounting (2 sets)



Wall Mounting (8 pcs)

## Mounting Hardware

Assorted hardware for securing your camera.



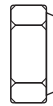
Screws



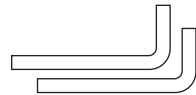
Lock Washers



Flat Washers



Nuts



Allen Wrenches

Solar units will also include panel(s), batteries, and solar enclosure. These are shipped separately.

# Powering the Camera System to Verify Operation

---

Before getting started, power your system to verify proper operation before installation. It is easier to troubleshoot an issue before it's installed in its final location.

You may log in to your camera at [app.truelook.cloud](https://app.truelook.cloud) using your unique username and password located on the back cover of this guide.

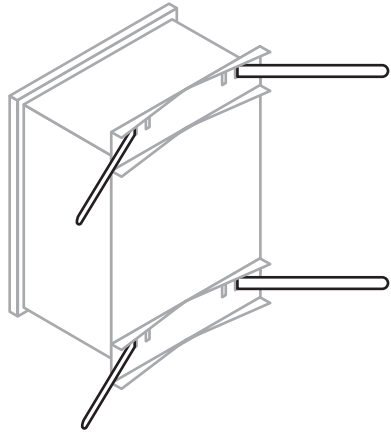
# Pole Mounting

## Control Box

### STEP 01

---

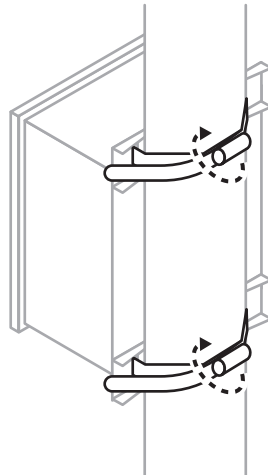
Thread steel straps through top and bottom of back of control box.



### STEP 02

---

Tighten each strap around pole using drill with size 5/16 Hex driver bit (not included).



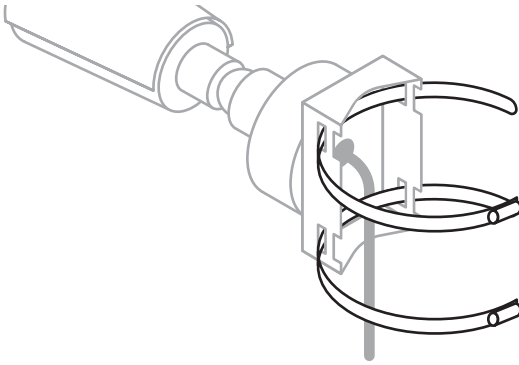
# Pole Mounting

## Camera

### STEP 01

---

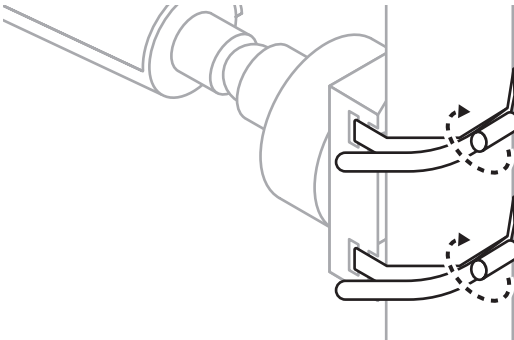
Thread steel straps through top and bottom of pole mounting base.



### STEP 02

---

Tighten each strap around pole using drill with size 5/16 Hex driver bit.

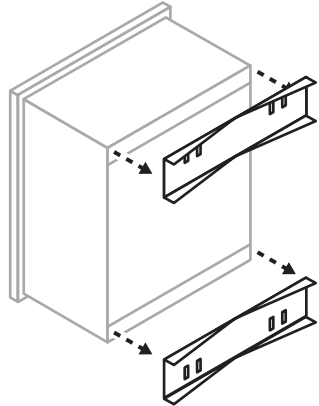


# Wall Mounting

## Control Box

### STEP 01

Remove pole mounting brackets from control box using drill with Phillips #2 bit.

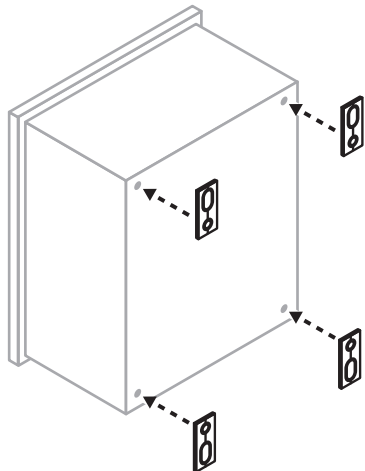


### STEP 02

Attach wall mounting brackets using drill with Phillips #2 bit.



Tab on mounting foot nests within slot on control box.

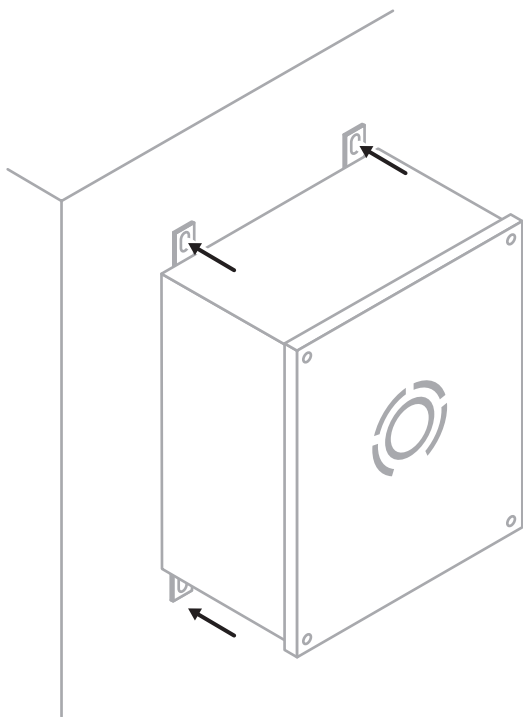


## MOUNTING

### STEP 03

---

Using hardware appropriate for your mounting surface, attach control box to wall.





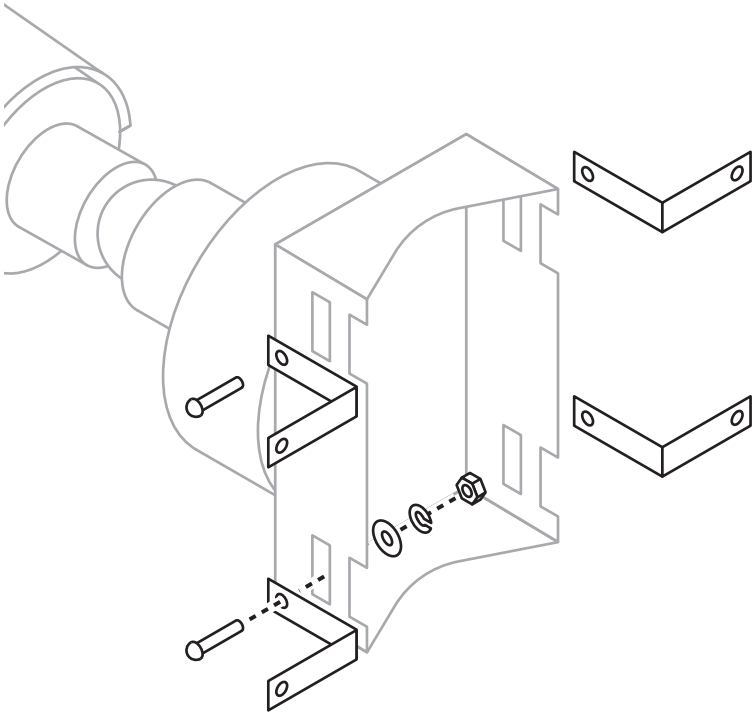
# Wall Mounting

## Camera

### STEP 01

---

Attach wall mounting brackets to back of pole mount with screw, washer, lock washer, and nut, using drill with Phillips #2 bit on screws and pliers (not included) to hold nuts tight.

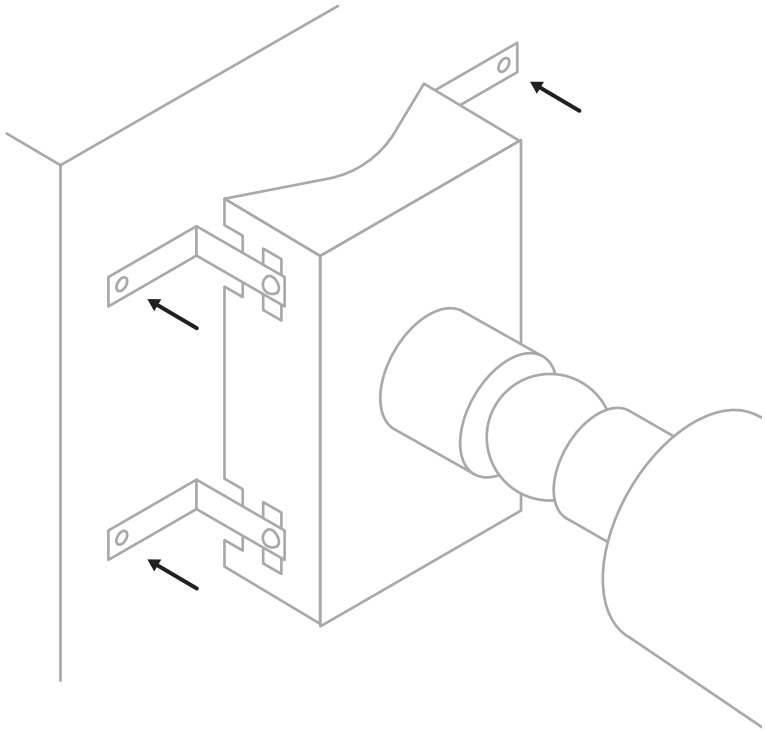


## MOUNTING

### STEP 02

---

Using hardware appropriate for your mounting surface, attach camera to wall.

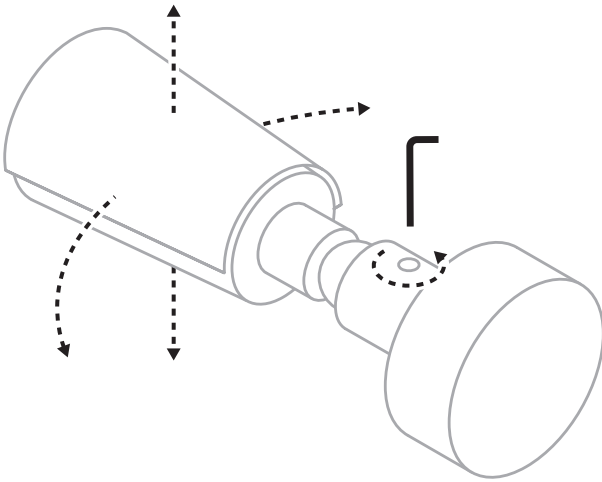


# Adjusting Angle

## STEP 01

---

Loosen screw on camera neck with Allen wrench (included) to adjust camera angle.



## STEP 02

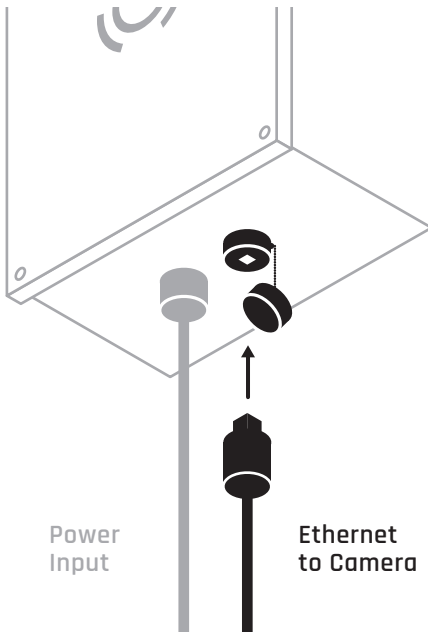
---

Tighten screw on camera neck with Allen wrench when desired angle is chosen.

# Connecting & Powering

## STEP 01

Connect camera to control box by plugging the ethernet cable coming from the camera into the bottom of the control box.



## STEP 02

Twist round piece of cable up over ethernet connector and hand tighten. Do not over tighten to touch control box.

## CONNECT

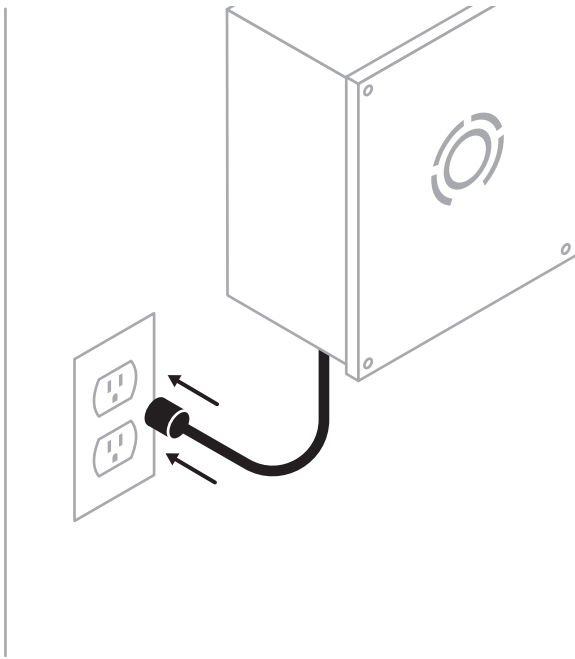
### STEP 03

---

#### Connect control box to power.

**For 110v:** Plug control box into standard 110v power outlet. Your camera will be online and ready to use within 10 minutes.

**For Solar:** At this point, please proceed to the Solar Module Installation Manual and follow the instructions through the end of the guide.



# One Last Step!

Did you know that our support team offers a free installation review?

Once you're done, simply snap a few pictures and email them to [support@truelook.com](mailto:support@truelook.com). If we notice anything that we can help with, we'll reach out. This will also help our support team quickly view your setup if you run into equipment issues at any point in the future.

## THE EMAIL

---

For the most efficient response from our team, include the following in your email:

- 1 Company Name
- 2 Project Name
- 3 Contact person for installation issues
- 4 The following photographs:
  - a) Your whole TrueLook solution: the camera, what it's mounted to, and any accessories (such as solar panels)
  - b) Close-ups of mounting
  - c) Close-ups of connections
  - d) Inside control box, if applicable (this is especially helpful for solar panels, solar skids, and mobile trailers)

# Notes

# Your Unique Login



TRU 24019-14 D2